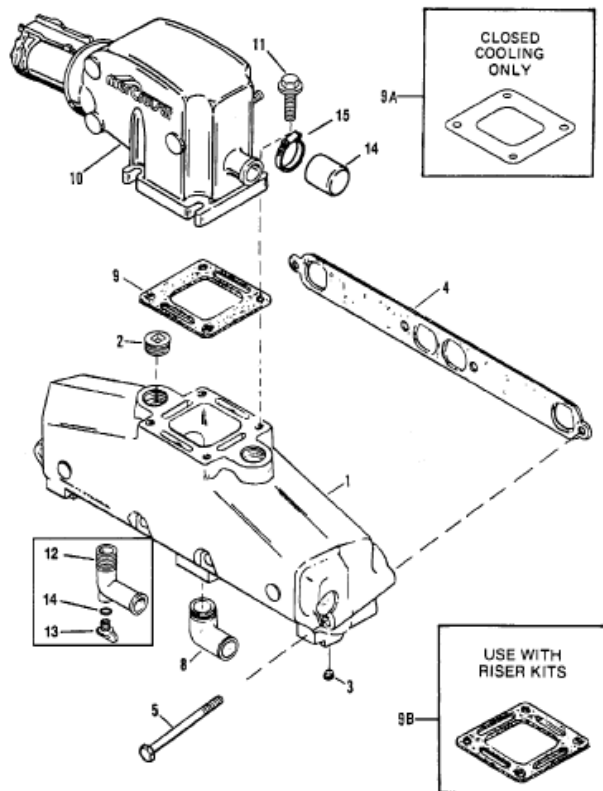
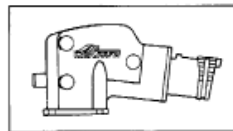
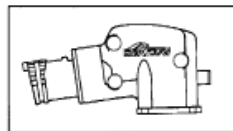


DRAWING #1

DRAWING #2



Parts List

Ref	Class	Part	Description	Qty	Comment	Footnote
1		89011A 8	EXHAUST MANIFOLD ASSEMBLY	2		
2	22	33198A 1	PLUG	AR		
3	22	36382	PIPE PLUG	4		
4	27	46820	GASKET	2		2
5	10	37612	SCREW (1-1/4")	8		
5	10	48424	SCREW (1-5/8")	8		
6	22	48556	REDUCING BUSHING	2		
7	22	32802	PIPE PLUG	2		
8	22	45084	FITTING (STRAIGHT) (METAL)	2		
9	27	41813	GASKET (STANDARD COOLING)	2		2
9A	27	41811	GASKET (CLOSED COOLING)	2		2
9B	27	818832	GASKET (USE WITH RISER KITS)	2		
10		816900A 5	EXHAUST ELBOW ASSEMBLY	1		
10		816900A 7	EXHAUST ELBOW ASSEMBLY	1		
11	10	12244	SCREW (1")	6		
11	10	66863	SCREW (2-1/2")	2	SERIAL 04000000-0F159999	
11	10	98534	SCREW (2-1/4")	2	SERIAL 0F160000-0Z999999	
12	22	806926A 1	DRAIN ELBOW	2	(PLASTIC)	
12	22	806608A 1	DRAIN PLUG	2	(PLASTIC)	
13	25	806609	QUAD RING	2	(PLASTIC)	
14	19	805727	RUBBER CAP	2		
15	54	815504220	CLAMP	2		
-		93320A 7	EXHAUST RISER KIT (3")	1	EACH KIT CONTAINS TWO RISE	
-		93322A 5	EXHAUST RISER KIT (6")	1	EACH KIT CONTAINS TWO RISE	